

Introducing the TD61M Series Melt Pressure Mechanical Gauge.

SERIES: TD61M



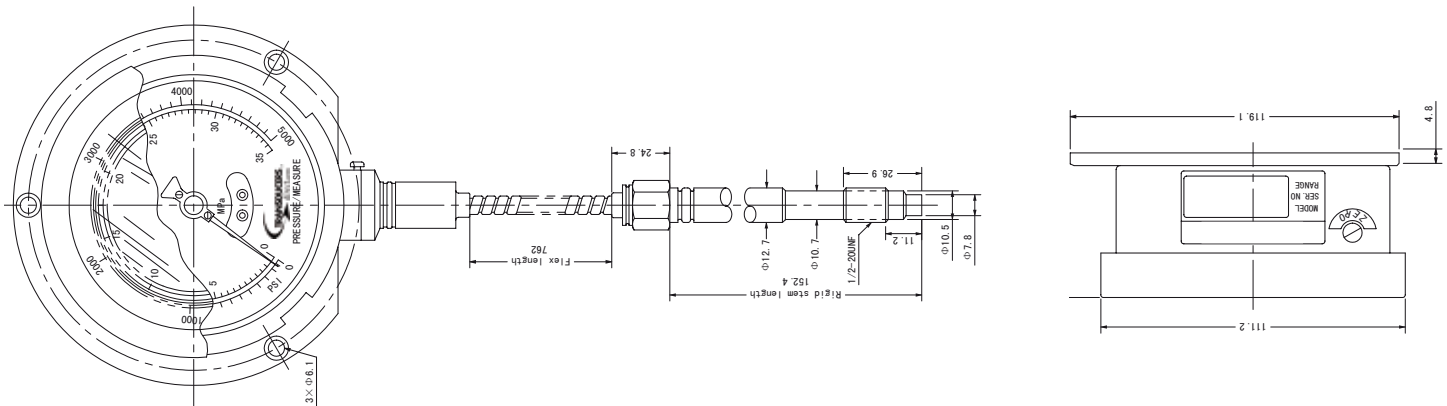
FEATURES

- 15-5 Stainless Steel Diaphragm
- Direct pressure display without power
- Easy to install, high reliability

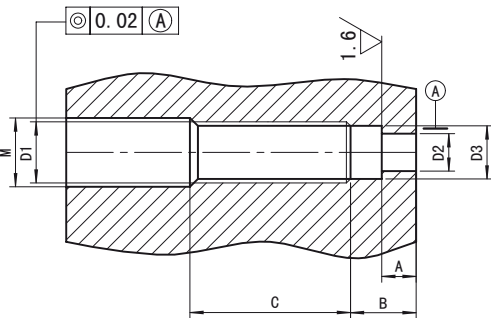
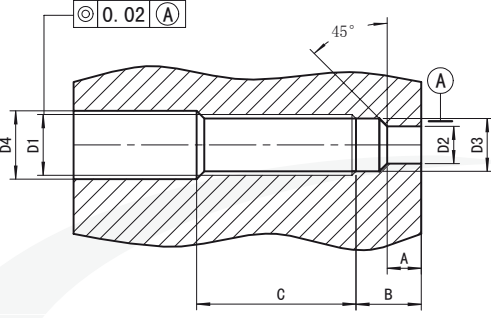
DESCRIPTION

The TD61M Series melt pressure gauges adopt high performance component and special construction design, on the rigid stem version the mechanical gauge can be rotated 270° for unobstructed viewing, easy to install, zero adjustable, and they are the ideal choices for applications requiring simple maintenance free pressure indication.

DIMENSIONS



Dimensions In mm And Are Reference Only.

 <p>Planar sealed</p>	D1	M2 2×1.5	M28×1.5	G3/4"	PT3/8 "
	D2	Φ 16.1	Φ 18.3	Φ 18.3	Φ 10.3
	D3	Φ 20.1	Φ 26.1	Φ 24.2	Φ 14.9
	M	Φ 23	Φ 30	Φ 21	Φ 11
	A	11	12	12	14
	B	12	15	15	19
	C	40	35	35	40
	 <p>45° Slope sealed</p>	D1	M1 2×1.5	M14×1.5	1/2-20UNF
D2		Φ 8	Φ 8	Φ 8	Φ 10.1
D3		Φ 10.8	Φ 12.5	Φ 11.5	Φ 16.1
D4		Φ 12.5	Φ 14.5	Φ 13.1	Φ 20
A		6	6	6	6.5
B		9	9.5	9.5	10

SPECIFICATIONS

Ranges	5000psi or 10,000psi
Combined error	±3%FS
Zero adjustability	±6%FS
Over pressure	1.5×FS
Max diaphragm temperature	750°F (400°C)
Case Material	Stainless Steel with Safety Glass
Process connection	1/2 -20UNF, M18×1.5

ORDERING

Series	Output	Pressure	Accuracy	Stem	Flex	Thread	Connector	Diaphragm
TD61M	0	10M	3	6	30	U	0	T
TD61M	none	5 M = psi x 1000 10 M = psi x 1000	3= 3%	6 = 6" 12 = 12" **	0 = no flex 30 = 30" **	U = 1/2"-20 M = M18 x 1.5	none	T = 15-5 stainless steel

**= Consult factory for further options.