

Introducing the TD6M Series Melt Pressure Mechanical Gauge.

SERIES: TD6M



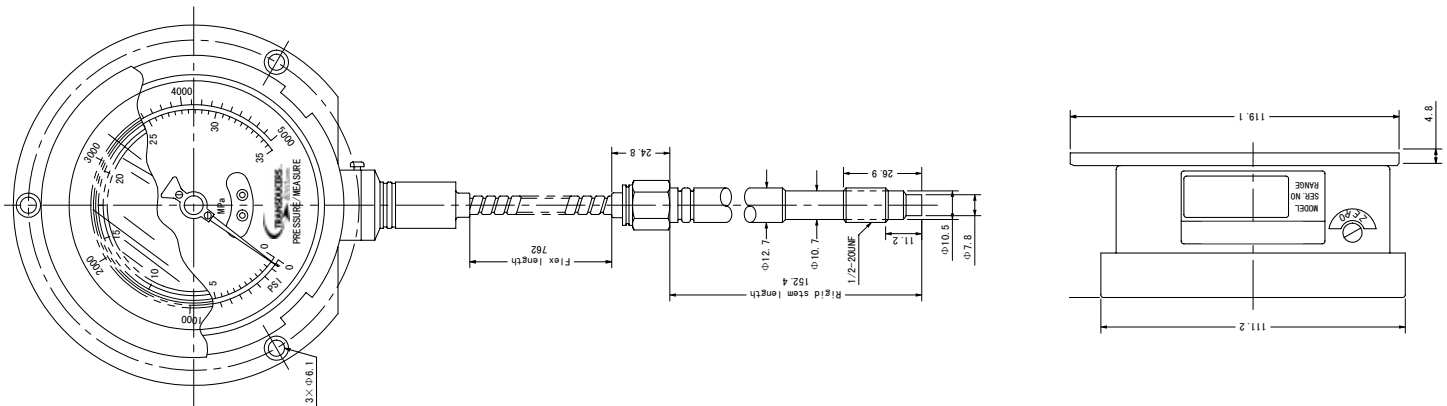
FEATURES

- Diaphragm isolation configuration
- Direct pressure display without power
- Easy to install, high reliability

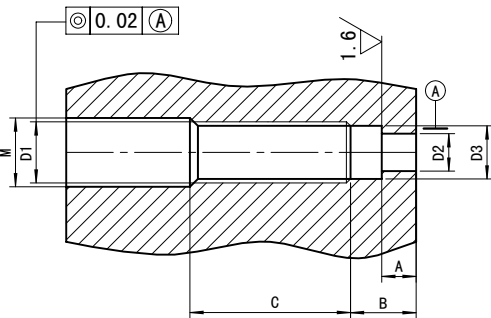
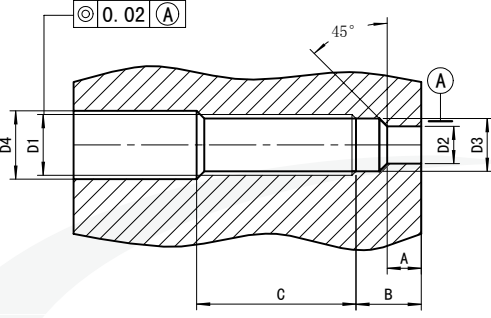
DESCRIPTION

The TD6M Series melt pressure gauges adopt high performance component and special construction design, on the rigid stem version the mechanical gauge can be rotated 270° for unobstructed viewing, easy to install, zero adjustable, and they are the ideal choices for applications requiring simple maintenance free pressure indication.

DIMENSIONS



Dimensions In mm And Are Reference Only.

| | | | | | |
|--|--|----------|----------|---------|-----------|
|  <p>Planar sealed</p> | D1 | M2 2×1.5 | M28×1.5 | G3/4" | PT3/8 " |
| | D2 | Φ 16.1 | Φ 18.3 | Φ 18.3 | Φ 10.3 |
| | D3 | Φ 20.1 | Φ 26.1 | Φ 24.2 | Φ 14.9 |
| | M | Φ 23 | Φ 30 | Φ 21 | Φ 11 |
| | A | 11 | 12 | 12 | 14 |
| | B | 12 | 15 | 15 | 19 |
| | C | 40 | 35 | 35 | 40 |
| |  <p>45° Slope sealed</p> | D1 | M1 2×1.5 | M14×1.5 | 1/2-20UNF |
| D2 | | Φ 8 | Φ 8 | Φ 8 | Φ 10.1 |
| D3 | | Φ 10.8 | Φ 12.5 | Φ 11.5 | Φ 16.1 |
| D4 | | Φ 12.5 | Φ 14.5 | Φ 13.1 | Φ 20 |
| A | | 6 | 6 | 6 | 6.5 |
| B | | 9 | 9.5 | 9.5 | 10 |

SPECIFICATIONS

| | |
|---------------------------|-----------------------------------|
| Ranges | 5000psi or 10,000psi |
| Combined error | ±3%FS |
| Zero adjustability | ±6%FS |
| Over pressure | 1.5×FS |
| Max diaphragm temperature | 750°F (400°C) |
| Case Material | Stainless Steel with Safety Glass |
| Process connection | 1/2 -20UNF, M18×1.5 |

ORDERING

| Series | Output | Pressure | Accuracy | Stem | Flex | Thread | Connector | Diaphragm |
|--------|--------|---------------------------------------|----------|--------------------------|-------------------------------|---------------------------------|-----------|-----------------------|
| TD6M | 0 | 10M | 4 | 6 | 30 | U | 0 | R |
| TD6M | none | 5 M = psi x 1000 10 M = psi x 1000 | 3= 3.00% | 6 = 6" 12 = 12" ** | 0 = no flex 30 = 30" ** | U = 1/2"-20 M = M18 x 1.5 | none | R = 17-4 stainless |

**= Consult factory for further options.