

NEW

The TDH41 Series
Low Cost, Higher Accuracy,
OEM Vacuum and Compound
Range Pressure Transducer

SERIES: TDH41



APPLICATIONS

- Hydraulic
- Pneumatic Systems
- Food and Beverage Industry
- Refrigeration Systems
- Energy and water management
- Construction and Agricultural Equipment

DESCRIPTION

The TDH41 Series Pressure Transducer utilizes piezoresistance technology in an all stainless steel body. It is compact in size, has long term stability, ease of installation and is very economical as well as reliable.

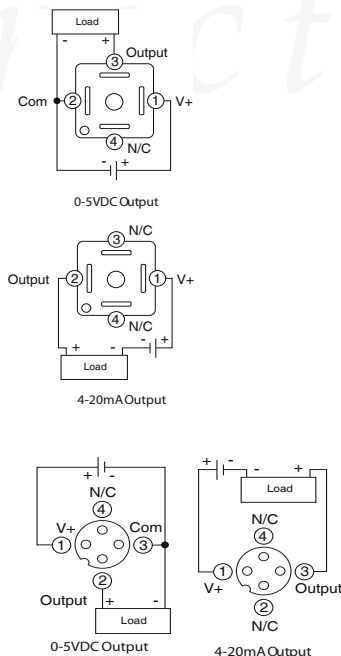
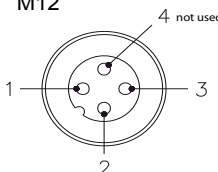
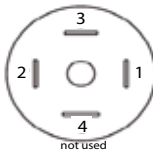
The TDH41 sets a new price-performance standard for low cost, high volume commercial and industrial applications.

FEATURES

- Vacuum to 85 psig Ranges
- Various Outputs
- Compact Design
- 316 Stainless steel Wetted Parts
- Low Cost
- Better 0.4% Accuracy
- Custom Outputs and Ranges Available
- OEM Tested and Approved

ELECTRICAL CONNECTIONS

Signal	Function	Color	Pin	Electrical Connector
0-5V	Supply V +	Red	1	DIN 4 pin (9.4)
	Com	Black	2	
	Output	White	3	
4-20mA	Supply V +	Red	1	M12
	Output	Black	2	
0-5V	Supply V +	Brown	1	M12
	Output +	White	2	
	Com	Blue	3	
4-20mA	Supply V +	Brown	1	M12
	Output	Blue	3	



SPECIFICATIONS

Input

Supply Voltage	12-36 VDC
Pressure Range	Vacuum to 85 psig *
Proof Pressure	1.5 x full scale
Burst Pressure	3 x full scale
Fatigue Life	More than 4 million cycles

Performance

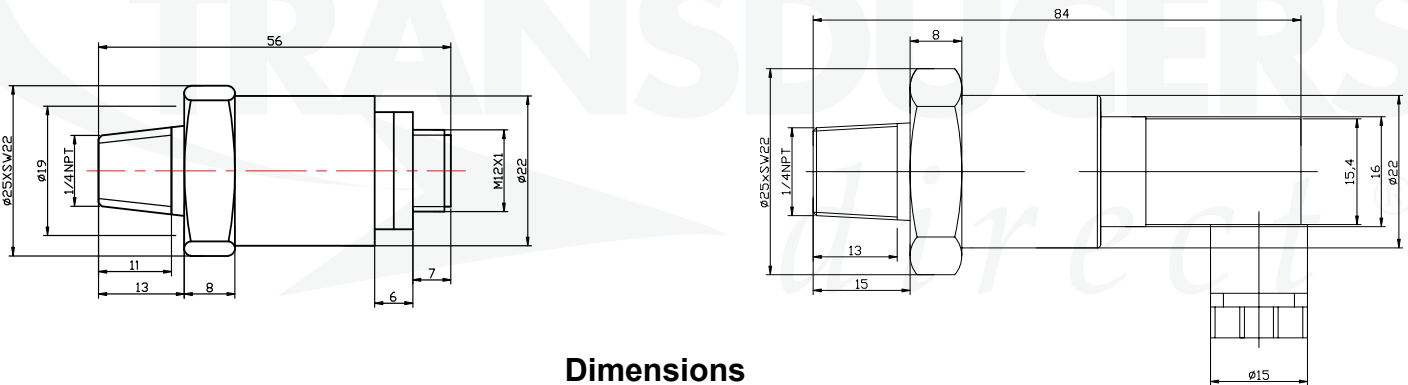
Accuracy	0.4% full scale
Stability	0.2% full scale
Compensated Temperatures	-10 to 75 °C (14 to 167 °F)
Operating Temperatures	-20 to 80 °C (-4 to 176 °F)
Zero and Span Offset Tolerance	1.5%

Mechanical Configuration

Pressure Port	1/4 NPT (standard) *
Electrical Connection	9.4 mini DIN, 3 pin Packard *
Sealing Rating	IP65 with T-Direct standard 9.4 DIN cable IP67 with T-Direct standard TDM12 cable
Wetted Parts	316 stainless steel

For best performance use shielded cables

Mating connectors and cable assemblies sold separately



Dimensions

Dimensions are in mm and for reference only

ORDERING

Series	Output	Pressure Type	Pressure Range	Pressure Port	Electrical Connection	Accuracy
TDH41	B	G	V000 psi	03	D00	5
	B= 4-20mA C= 0-5V (3 wire) **	G = Gauge	Vac-0= V000 Vac-15= V015 Vac-45= V045 Vac-85= V085 **	03= 1/4" NPT Male **	D00= 4 pin Mini 9.4 DIN Q00= M12 **	5= 0.4%

**= Consult factory for further OEM options

Pressure ranges listed above are quick ship versions

Specifications may change without notice. The information we supply is believed to be accurate and reliable as of this printing. However, we assume no responsibility for its use. While we provide application assistance personally, through our literature and the Transducers Direct web site, it is up to the customer to determine the suitability of the product in the application.

REV: 5.10