

## Introducing the TDL501 Series Ultrasonic Miniature Liquid Level Switch

SERIES: TDL501



### FEATURES

- High pressure up to 250 PSIG (1724 Kpa)
- No moving parts, easy to install
- Input 5VDC to 30VDC
- Digital Filter Technique Enhances Performance

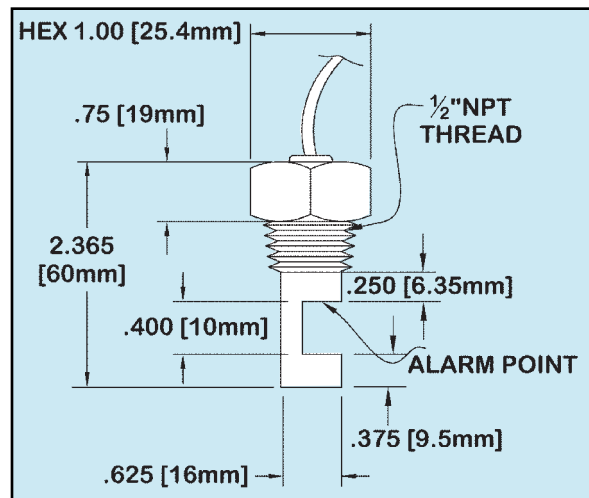
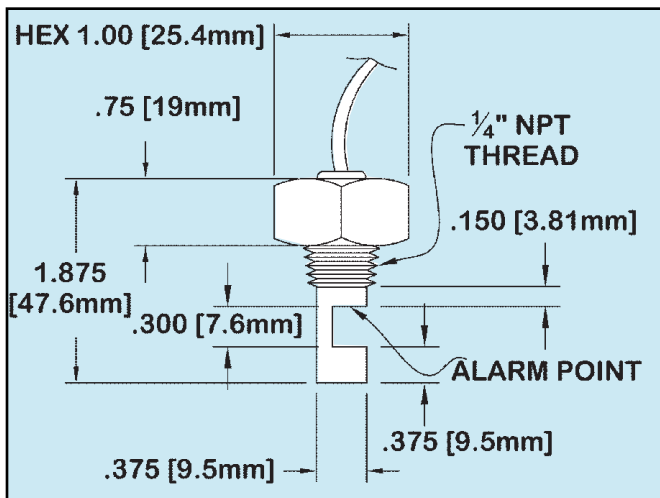
### OPTIONS:

- Higher pressure up to 500 psi
- Higher temperature up to 212 degrees F
- Relay output, 0.5 amp SPST (N.C., Com)
- Sink or source outputs

### DESCRIPTION

Proven Ultrasonic Technology Combined With Micro Controller Improved Performance In Aerated Liquid With Cost Effective Design For Tight Space & Direct Replacement Of Electro Optical Switch & Mechanical Float Switch

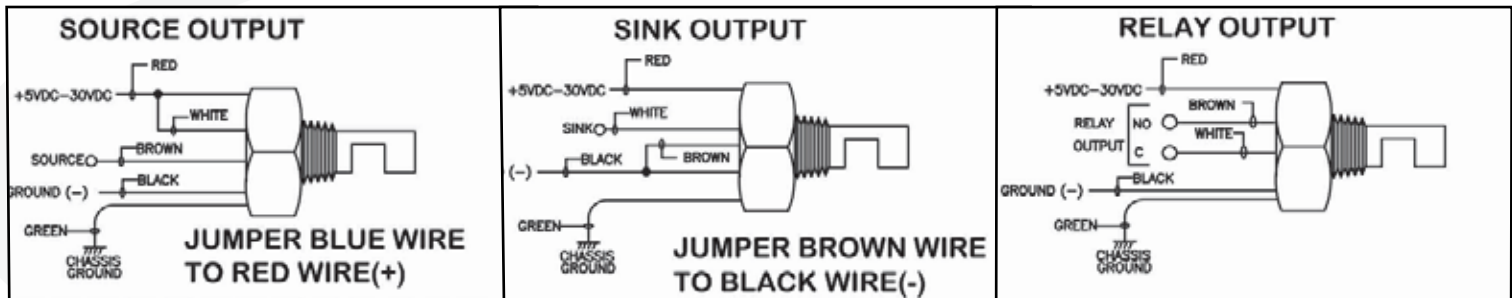
### DIMENSIONS



## SPECIFICATIONS

Current Rating	0.5 amp
Repeatability	2mm or better
Delay	0.5 seconds
Input Power	5 VDC to 30VDC
Leakage Current:	Less than 50µA
Outputs	Source - (open when dry, closed when wet) Sink - (open when dry, closed when wet) SPST (N.O., Com) (normally open when dry)
Relay Output	Transient, reverse polarity
Protection	316LSS standard
Sensor	-20°F to +176° F (-29°C to 80°C)
Temperature	Up to 250 psig (1724 Kpa)
Pressure	1/4" NPT, 1/2" NPT STD (standard)
Mounting	12" (305mm) longer lengths, consult factory
Cable Length	

## WIRING DIAGRAM



## ORDERING

Series Part Number	Sensor Mounting	Electronics Input	Electronics Output
TDLS0112901	1/4" NPT	5VDC-30VDC	Sink (open when dry, closed when wet)
TDLS0112902	1/4" NPT	5VDC-30VDC	Source (open when dry, closed when wet)
TDLS0112903	1/4" NPT	5VDC-30VDC	SPST Relay (NO, Com) normally open when dry
TDLS0112905	1/2" NPT	5VDC-30VDC	Sink (open when dry, closed when wet)
TDLS0112906	1/2" NPT	5VDC-30VDC	Source (open when dry, closed when wet)
TDLS0112907	1/2" NPT	5VDC-30VDC	SPST Relay (NO, Com) normally open when dry