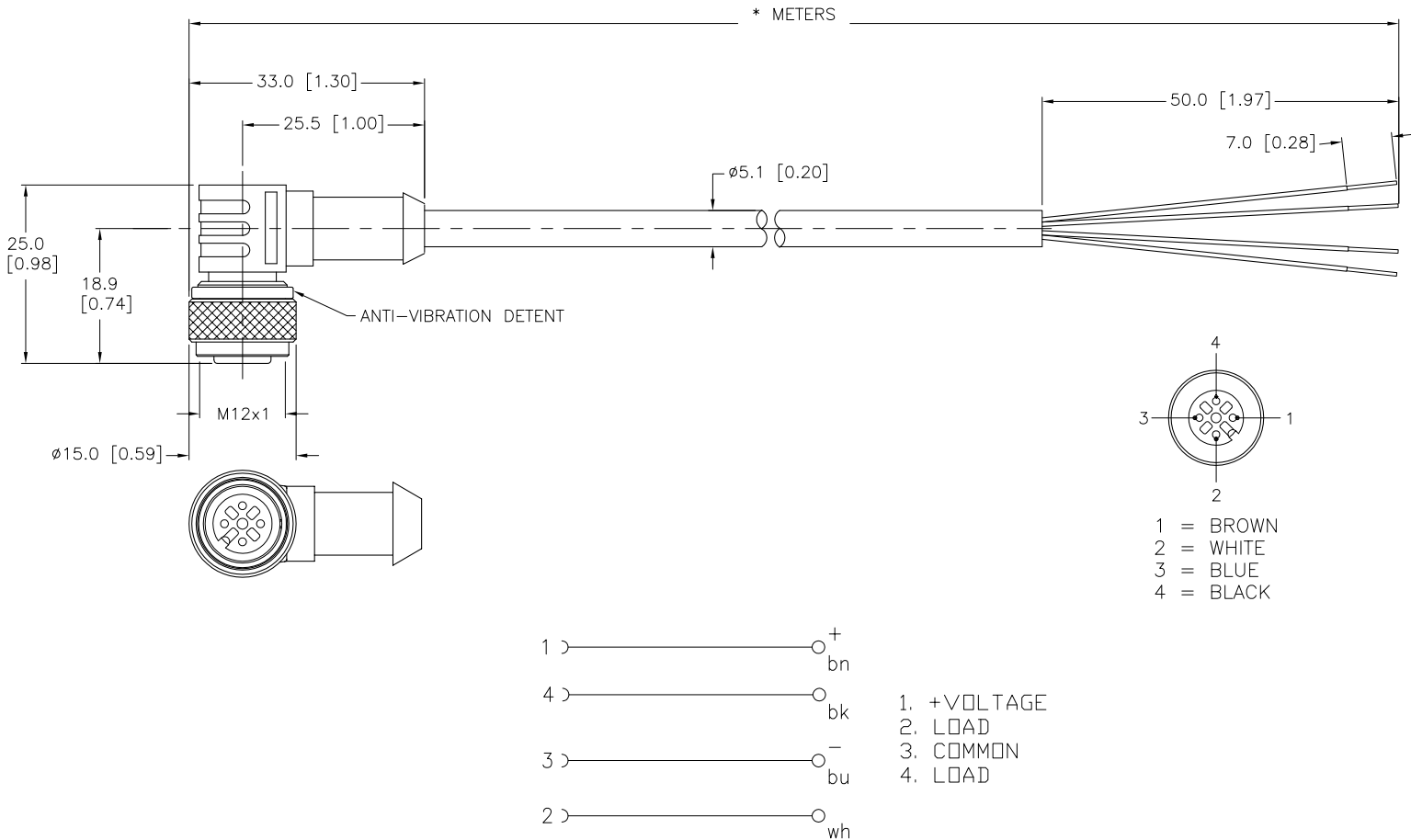




TDM12-4F69-CR-XXM
M12, IP69K Cable



- Contact Material - Gold plated brass
- Cable Jacket Material - PUR
- Coupling Nut Material - Nickel plated brass
- Conductor Insulation Material - PVC
- Rated Current - 4.0 amp
- Rated Voltage - 250 volt
- Number of Conductors - 4x22 AWG
- Drain/Shield - 22 AWG/aluminized polyester foil
- Temperature Range - -40° C to +105° C (-40° F to 221° F)
- Protection Class - IP69K
- Cable Lengths - 1M, 3M, 6M, 12M, 15M, 21M