

Introducing the TDPS Series 11-13 Adjustable Switches.

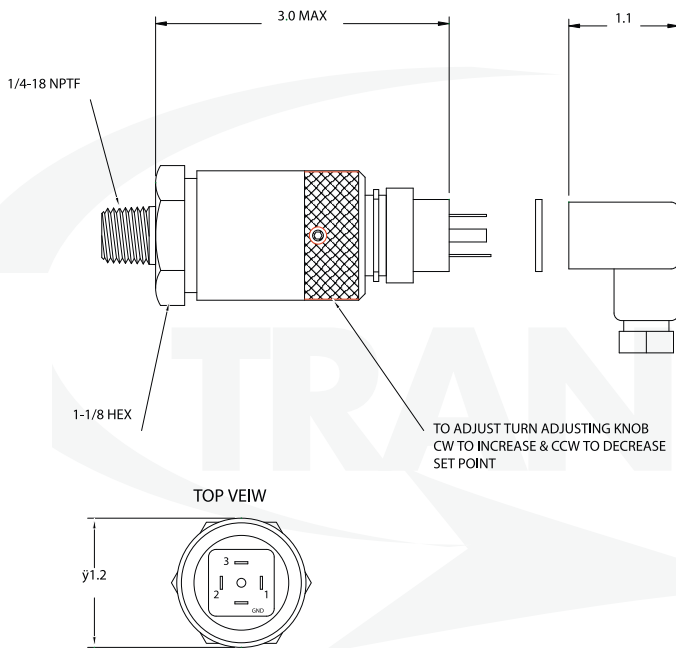
FEATURES

- Long life elastomer diaphragm
- High quality snap action switch
- Field adjustable
- Easily customized
- Quick delivery
- NEMA 4, 13



SERIES: TDPS 11-13

DIMENSIONS



PIN CONFIGURATION
PIN 1 - COM.
PIN 2 - N.C.
PIN 3 - N.O.

Dimensions In Inches
And Are Reference Only.

SPECIFICATIONS

Set Point Range	3 – 120 PSI (.21 – 8.3 Bar)
Set Point Tolerance	±1 PSI or 5% (.07 Bar)
Maximum Operating Pressure	250 PSI (17 Bar)
Proof Pressure	750 PSI (51 Bar)
Differential	10 – 20%
Current Rating	3 A @ 125 VAC 2 A @ 30 VDC (Resistive)
Media Connection	See Order Chart Below
Circuit Form	SPST-NO or SPST-NC
Electrical Connection	See Order Chart Below
Diaphragm material	Buna N
Cycle Life	1 Million

ORDERING

Series	Pressure Connection	Circuit Type	Electrical Connection
TDPS11	3	C	W
TDPS11 (3-10PSI)	3= 1/4" NPT Male	C= SPDT NO/NC	W= 18" Wire Leads
TDPS12 (6-30PSI)	1= 1/8" NPT Male		D= 9.4 Mini DIN
TDPS13 (20-120PSI)			

*Contact factory for additional optional/custom modifications.