

Introducing the TDPS 11_13 Series Adjustable Pressure Switches.

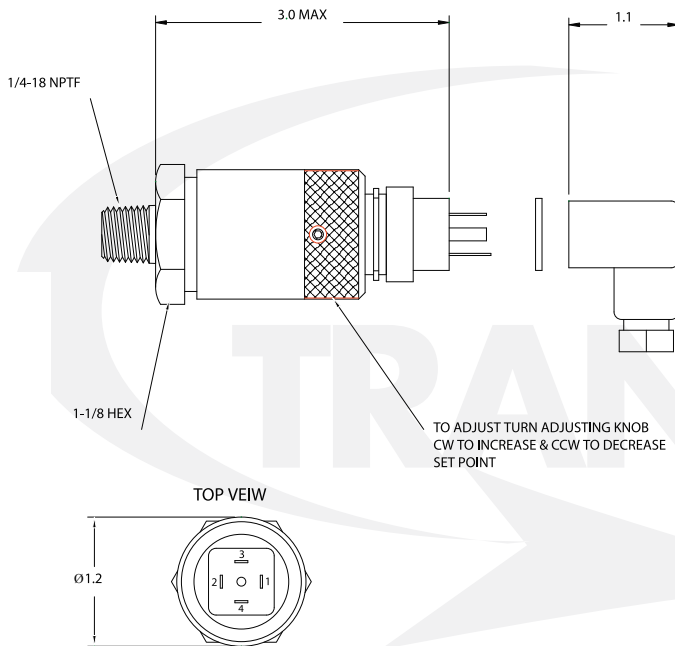
FEATURES

- Long life elastomer diaphragm
- High quality snap action switch
- Field adjustable
- Easily customized
- Quick delivery
- NEMA 4, 13



SERIES: TDPS 11-13

DIMENSIONS



PIN CONFIGURATION
 PIN 1 - COM.
 PIN 2 - N.C.
 PIN 3 - N.O.
 PIN 4 - not used

**Dimensions In Inches
 And Are Reference Only.**

WIRE CODE
 RED - N.O.
 BLUE - N.C.
 BLACK - COM

SPECIFICATIONS

Set Point Range
Set Point Tolerance
Maximum Operating Pressure
Maximum Operating Pressure
Proof Pressure
Proof Pressure
Differential
Current Rating

3 – 1500 PSI (0.21 – 103.4 Bar)
 ± 1 PSI or 5% (.07 Bar)
 (11-13) 250 PSI (17 Bar)
 (13-HP1 & HP2) 2000 PSI (138 Bar)
 (11-13) 750 PSI (51 Bar)
 (13HP1 & HP2) 6000 PSI (413.6 Bar)
 10 – 20%
 3 A @ 125 VAC
 2 A @ 30 VDC (Resistive)
 See Order Chart Below
 SPST-NO or SPST-NC
 See Order Chart Below
 Buna N
 1 Million

Media Connection
Circuit Form
Electrical Connection
Diaphragm material
Cycle Life

DO NOT ADJUST THE UNIT CLOSE TO EITHER EDGE OF THE ADJUSTMENT RANGE. THIS MAY CAUSE THE SWITCH TO MALFUNCTION.

ORDERING

Series	Pressure Connection	Circuit Type	Electrical Connection
TDPS11	3	C	W
TDPS11 (3-10PSI) TDPS12 (6-30PSI) TDPS13 (20-120PSI) TDPS13HP1 (100-400PSI) TDPS13HP2 (500-1500PSI)	3= 1/4" NPT Male 1= 1/8" NPT Male	C= SPDT NO/NC	W= 18" Wire Leads D= 9.4 Mini DIN

*Contact factory for additional optional/custom modifications.