

Introducing the TDPS Series1-3 Adjustable Switches.

FEATURES

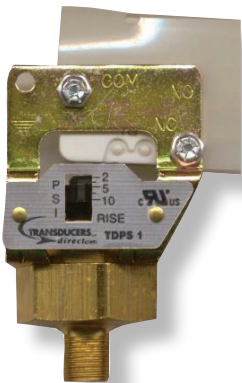
- Finger tip adjustment
- Visual calibration
- Snap action switch
- Versatile
- Economical

SPECIFICATIONS

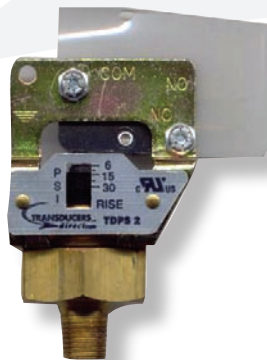
Set Point Range	2-120
Set Point Tolerance	±1 PSI OR 5%
Maximum Operating Pressure	250 PSI
Proof Pressure	750 PSI
Differential	10-20%
Current Rating	10 AMP
Media Connection	1/8" NPT MALE BRASS
Circuit Form	SPDT
Electrical Connection	1/4" BLADES
Diaphragm Material	BUNA N

ORDERING

Low pressure switches available in the following 3 stocked models:



TDPS-1
Adjustment Range
2-10 PSI



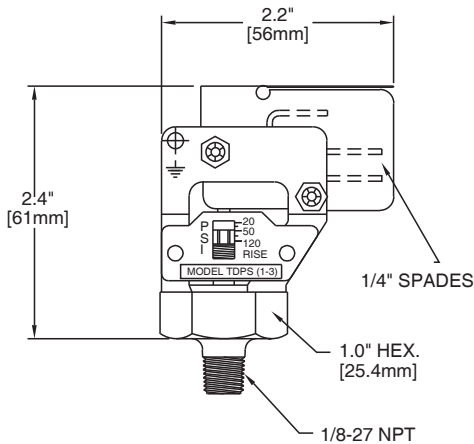
TDPS-2
Adjustment Range
6-30 PSI



TDPS-3
Adjustment Range
20-120 PSI



DIMENSIONS



Dimensions In Inches And Are Reference Only.

INSTALLATION

Electrical Connections

The TDPS1-3 uses 1/4" spade lugs for the electrical connections. "COM" is the connection for the signal coming into the switch. "N.O." is the connection in which the switch contact is normally open @ zero pressure. "N.C." is the connection in which the switch contact is normally closed @ zero pressure. When the contact closes the signal is sent through the switch.

Pressure Connection

The pressure connection is 1/8-27/NPT (National Pipe Thread). This is a tapered thread and does not require an O ring however, it is recommended to apply teflon tape or pipe dope to the threads to ensure a good seal. The threads are "right hand" threads, clockwise to tighten - counterclockwise to loosen. The hex size is 1". Start the switch by hand then use a 1" open end wrench to tighten snugly.

Pressure Adjustment

The plate on the front of the switch shows the adjustment range in psi (pounds per square inch). Turning the black wheel will raise or lower the point at which the switch contact changes states. Clockwise to increase - counterclockwise to decrease.

Environment

The TDPS1-3 is an open construction. It is not weather proof. It must be protected against water or other liquids from coming in contact with the electrical connections.