

Introducing the TDTS31 Series Temperature Switch.

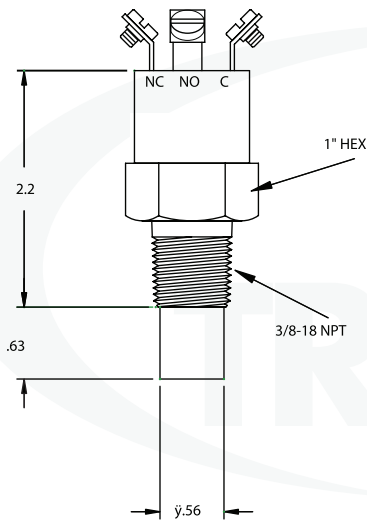


SERIES: TDTS31

FEATURES

- Snap Action Switch
- Utilizes Snap Disc Technology
- Nema 4,13
- 5 Amp Optional 10 Amp
- Optional Gold Contact For Low Current Application

DIMENSIONS



Dimensions In Inches And Are Reference Only.

SPECIFICATIONS

Set Point Range	15 0° - 300° F	(65° to 149° C)
Set Point Tolerance	±5° F	(2.8° C)
Maximum Temperature	100°F Above Set Point (325°F Max)	
Current Rating	5 Amp	
Differential	8-16°F	
Media Connection	See Ordering Code	
Circuit Form	SPST-NO or SPST-NC	
Electrical Connection	8-32 Screw Terminals Standard	
Maximum External Pressure	2500 psi	

ORDERING

Series	Probe Length	Media Connection	Circuit Form	Fixed Set Point	Setting Direction	Electrical Connection
TDTS31	5	6	A	40	R	T
TDTS31	5 = 5/8" **	2 = 3/8" NPT 6 = 1/2" NPT **	A= SPST-NO B= SPST-NC C= SPDT	150°F - 300°F (In 10° increments)	R= Rising F= Falling	W= 18" Wire Leads B= 1/4" Blade Connection T= Screw Terminals *

*Contact factory for additional optional/custom modifications.