

Introducing the TDTS32 Series Temperature Switch.



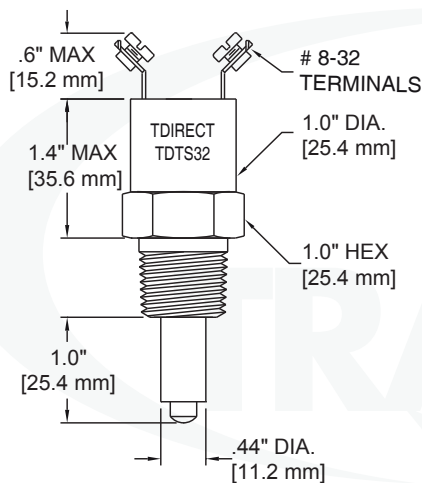
FEATURES

- Snap Action Switch
- Bellows Mechanism
- Nema 4,13
- 5 Amp
- Optional Gold Contact For Low Current Application

SERIES: TDTS32



DIMENSIONS



SPECIFICATIONS

Set Point Range	40° - 300° F	(4° to 149° C)
Set Point Tolerance	±5° F	(2.8° C)
Maximum Temperature	100°F Above Set Point (325°F Max)	
Current Rating	5 Amp	
Differential	8-16°F	
Media Connection	See Ordering Code	
Circuit Form	SPST-NO or SPST-NC	
Electrical Connection	8-32 Screw Terminals Standard	
Maximum External Pressure	500 psi	

Dimensions In Inches And Are Reference Only.

ORDERING

Series	Probe Length	Media Connection	Circuit Form	Fixed Set Point	Setting Direction	Electrical Connection
TDTS32	5	6	A	40	R	T
TDTS32	1 = 1.00" *	2 = 3/8" NPT 6 = 1/2" NPT *	A= SPST-NO B= SPST-NC C= SPDT	40°F - 300°F	R= Rising F= Falling	W= 18" Wire Leads B= 1/4" Blade Connection T= Screw Terminals *

*Contact factory for additional optional/custom modifications.