

The CirrusSense™
TDWLB Series
Wireless Bluetooth
Pressure Transducer



SERIES: TDWLB



DESCRIPTION

Another Industry First! The first Bluetooth® certified wireless pressure transducer with long battery life and patent pending design makes the Transducers Direct CirrusSense™ TDWLB a perfect fit for many applications for Industrial and Home Automation.

Download the free app, install the transducer and wirelessly connect - no confusing wiring to figure out. From HVAC in

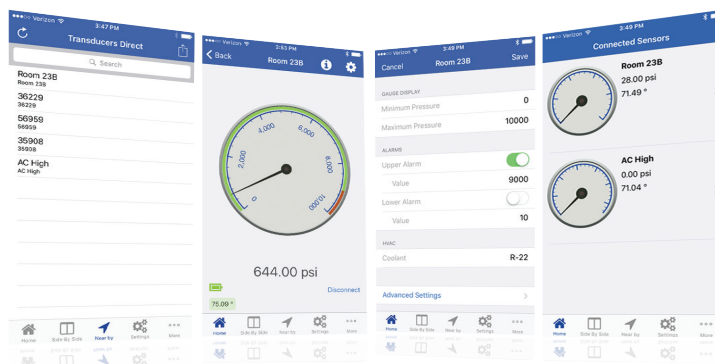
marine, campers, motorhomes, residential and commercial applications to water, hydraulic, irrigation, pools, medical and sprinkler systems or anywhere you need to monitor pressure without the need of wires.

Because it is built on Transducers Direct TD1000 proprietary technology, the TDWLB ensures high quality and high accuracy with Transducers Direct's quick deliveries, and low costs.

FEATURES

- Connects to smart phones and tablets with BLE (Bluetooth® Low Energy)
- Certified Bluetooth® Wireless technology
- Pressure ranges from Vacuum to 10,000 psi
- Long battery life (proprietary technology)
- 1% Standard accuracy with optional 0.25% Ultra high accuracy
- Stainless Steel and high impact polycarbonate construction
- Alarm set points
- Secure field programmable naming
- Patent Pending Design
- Schrader, NPT, SAE and G 1/4 pressure connection

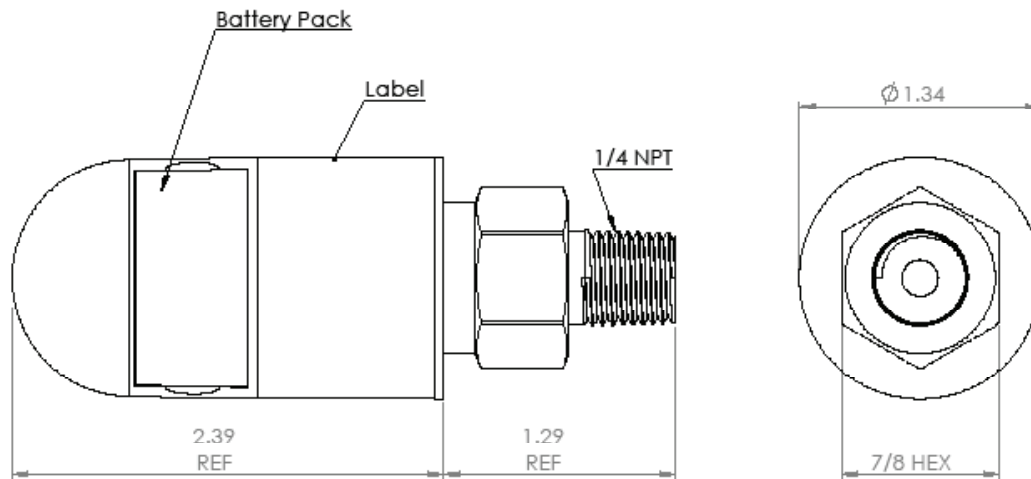
TDWLB APP



Free download at the Apple iTunes App Store and Google Play

Specifications may change without notice. The information we supply is believed to be accurate and reliable as of this printing. However, we assume no responsibility for its use. While we provide application assistance personally, through our literature and the Transducers Direct web site, it is up to the customer to determine the suitability of the product in the application.

DRAWING



REGULATORY COMPLIANCE

This equipment has been tested and found to comply with the limits for a Class A digital device pursuant to part 15 of the FCC Rules. These limits are designed to provide reasonable protection against harmful interference when the equipment is operated in a commercial environment. This equipment generates, uses, and can radiate radio frequency energy and, if not installed and used in accordance with the instruction manual, may cause harmful interference to radio communications. Operation of this equipment in a residential area is likely to cause harmful interference in which case the user will be required to correct the interference at his own expense.

Changes or modifications not expressly approved by Transducers Direct could void the user's authority to operate the equipment. FCC ID: 2ACGE-TDWLB.

This device complies with Industry Canada licence-exempt RSS standard(s) / CNR of Industry Canada for licence exempt radio devices. Exploitation is entitled to the following two conditions: (1) the device does not produce interference, and (2) the device must accept any radio interference suffered, even if the interference is likely to jeopardize the operation.

IC: 12056A-TDWLB

SPECIFICATIONS

Performance	Performance @ 25°C (77 °F)
Pressure Accuracy	0.25% or 0.2 psi, whichever is greater, 1% BFSL
Temperature Accuracy	± 1°C
Overrange Protection	2x Rated Pressure
Pressure Range	see ordering chart - up to 10,000 psi (690 bar)
Burst Pressure	5x or 20,000 psi, whichever is less
Pressure Cycles	>100 million
Update Time	Bluetooth® wireless technology (1sec)
Environmental Data	
Temperature	
Compensated Temperatures	-10° to 85° C (14 to 185° F)
Operating Temperatures	-40° to 85° C (-40° to 185° F)
Storage	-40° to 125° C (-40° to 257° F) without battery
TEB	3% BFSL (includes: Non-linearity, Hysteresis and Non-repeatability)
Long Term Drift	0.2% FS/year (non-cumulative)
Shock	50g, 11 ms, 1/2 sine
Vibration	10g, peak, 20 to 2400 Hz
EMI/RFI Protection	Yes
Rating	IP-65
Mechanical Configuration	
Pressure Connections (Schrader)	1/4" NPT Male, 7/16-20 UNF Male, G1/4 Male, 7/16-20 UNF Female w/ 45° flare & valve depressor
Wetted Material	17-4PH stainless steel (for other materials consult factory)
Case	(housing) 304 stainless steel and high-impact polycarbonate
Electrical Data	
Power Supply temperatures.	Replacement battery, battery life: 12-18 months, typical. Battery life is affected by high and low temperatures.
Battery Removal	Please contact factory for additional information. If battery pack is removed, you must wait 90 seconds to reinstall or unit may lock up.
Compatible Devices	Software: Android - Version 4.3 or later iOS - Current version and previous one Hardware: Android - Device supports Bluetooth Smart (Version 4.0 and later) iPad Gen 3 (released Mar 16, 2012) iPhone 6 (released Sept 19, 2014) iPad Gen 4 (released Nov 2, 2012) iPhone 6S, 6S plus (released Sept 25, 2015) iPad Mini Gen 1 (released Nov 2, 2012) iPhone 7, 7 plus (released Sept 16, 2016) iPad Mini Gen 2 (released Nov 12, 2013) iPad Air (released Nov 1, 2013) iPhone 5 (released Sept 21, 2012)

ORDERING

Series	Accuracy	Pressure Range	Pressure Connection	Battery Pack
TDWLB	100	0500 (psi)	03	
	100 = 1.0% 200 = 0.25%	0050 0100 0250 0500 0650 1000 3000 5000 010K **	03= 1/4" NPT Male 09= 7/16-20 UNF Male 13= G1/4 Male 42= 7/16-20 UNF Female w/ 45° flare & valve depressor (Schrader) **	(BLANK) = Standard battery pack T-24 = 24" cable with external temperature sensor **

**= Consult factory for further OEM options.

Pressure ranges listed above are quick ship versions.

All straight-thread o-rings are Viton. It is customer's responsibility to determine compatibility.

8.17