

## The CirrusSense™ TDWLB-LCRPPF Wireless Pressure Gauge for Pool Filters & Pumps



### FEATURES

- Grivory, Industry First, Lightweight
- Connects to smart phones and tablets with BLE (Bluetooth® Low Energy)
- Replaces old mechanical pressure gauge
- Remote Monitoring Capability Available
- Pressure range 150 psi
- 1% Standard accuracy
- Long battery life
- Alarm set points
- Secure field programmable naming
- Patent Pending Design
- Connect to Sensor via QR Code or Serial Number
- For use with variable speed or fixed speed pumps
- Automatic reconnect

### SPECIFICATIONS

#### Performance

Pressure Accuracy	Performance @ 25°C (77 °F)
Overrange Protection	1% BFSL (includes: Non-linearity, Hysteresis and Non-repeatability)
Pressure Range	1.5x Rated Pressure
Update Time	0 - 150 psi
	Bluetooth® wireless technology (1 sec)

#### Environmental Data

Temperature	
Compensated Temperatures	-25°C (-13°F) to 60°C (140°F)
Operating Temperatures	-30°C (-22°F) to 60°C (140°F)
Storage Temperatures	-30°C (-22°F) to 60° C (140°F)
TEB	3% of FS
Long Term Drift	0.2% FS/year (non-cumulative)
EMI/RFI Protection	Yes
Rating	IP-67

#### Mechanical Configuration

Pressure Connections	1/4 NPT
Wetted Material	Grivory engineered composite material
Sealing Material	Viton

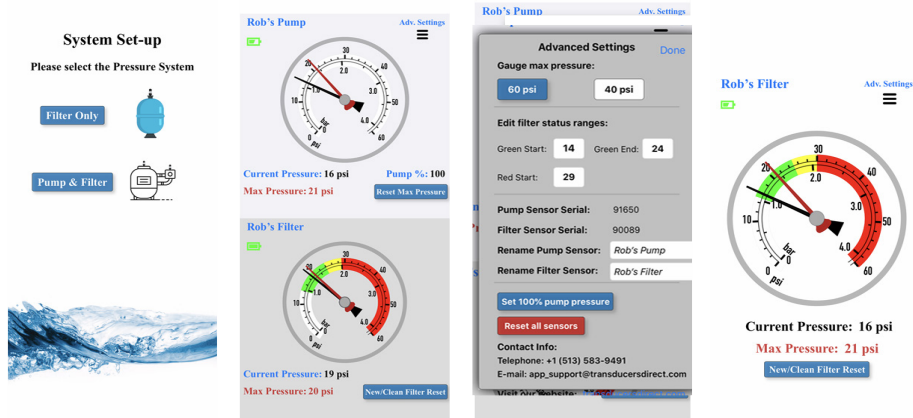
#### Electrical Data

Power Supply	Replaceable battery, battery life: 24+ months, typical. Battery life is affected by high and low temperatures. Battery part number: TDWLB-LC-BAT
Battery Removal	If battery pack is removed, you must wait 90 seconds to reinstall

Operating System Requirements	iOS 8.0 or later Android 4.3 and up
-------------------------------	--

**TDWLB-LCRPPF APP**

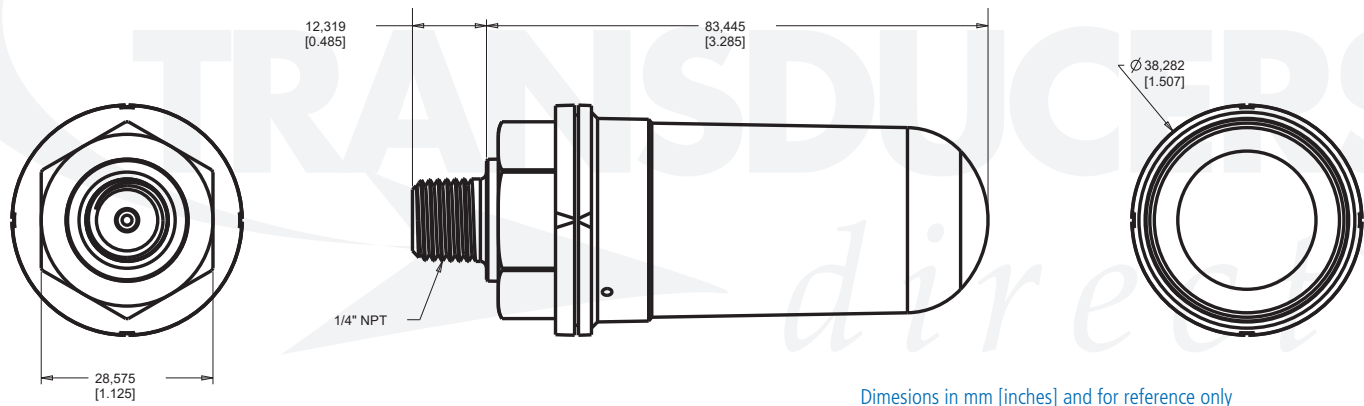
Free download at the Apple iTunes App Store and Google Play - Download "CirrusSense™ Pool Filter Pro App"



Connect to the sensor by scanning the QR code on the gauge or by entering the serial number  
The app will show the Current pressure reading and the Maximum pressure that the sensor has recorded so far.

Specifications may change without notice. The information we supply is believed to be accurate and reliable as of this printing. However, we assume no responsibility for its use. While we provide application assistance personally, through our literature and the Transducers Direct web site, it is up to the customer to determine the suitability of the product in the application.

**DIMENSIONS**



Dimensions in mm [inches] and for reference only

All TDWLB Transducers Contain a Lithium Battery That Must Be Disposed of Properly

**ORDERING**

Order Number:

TDWLB-LCRPPF

\*\*= Consult factory for further OEM options.

All straight-thread o-rings are Viton. It is customer's responsibility to determine compatibility.

11.21