

The CirrusSense™  
TDWLB Series  
Wireless Bluetooth  
Pressure Transducer



SERIES: TDWLB

DESCRIPTION

Another Industry First! The first Bluetooth® certified wireless pressure transducer with long battery life and patent pending design makes the Transducers Direct CirrusSense™ TDWLB a perfect fit for many applications for Industrial and Home Automation.

Download the free app, install the transducer and wirelessly connect - no confusing wiring to figure out. From HVAC in

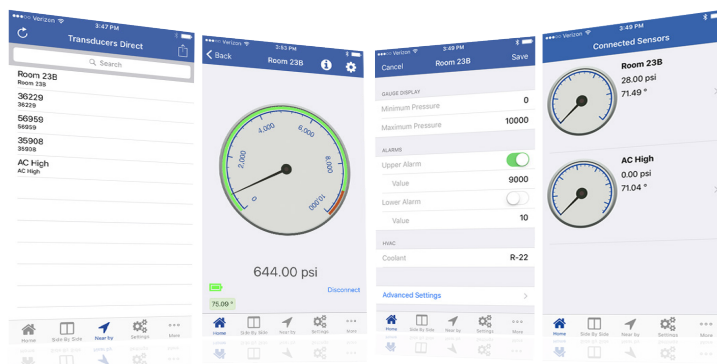
marine, campers, motorhomes, residential and commercial applications to water, hydraulic, irrigation, pools, medical and sprinkler systems or anywhere you need to monitor pressure without the need of wires.

Because it is built on Transducers Direct TD1000 proprietary technology, the TDWLB ensures high quality and high accuracy with Transducers Direct's quick deliveries, and low costs.

FEATURES

- Connects to smart phones and tablets with BLE (Bluetooth® Low Energy)
- Certified Bluetooth® Wireless technology
- Pressure ranges from Vacuum to 10,000 psi
- Long battery life (proprietary technology)
- 1% Standard accuracy with optional 0.25% Ultra high accuracy
- Stainless Steel and high impact polycarbonate construction
- Alarm set points
- Secure field programmable naming
- Patent Pending Design
- Schrader, NPT, SAE and G 1/4 pressure connection

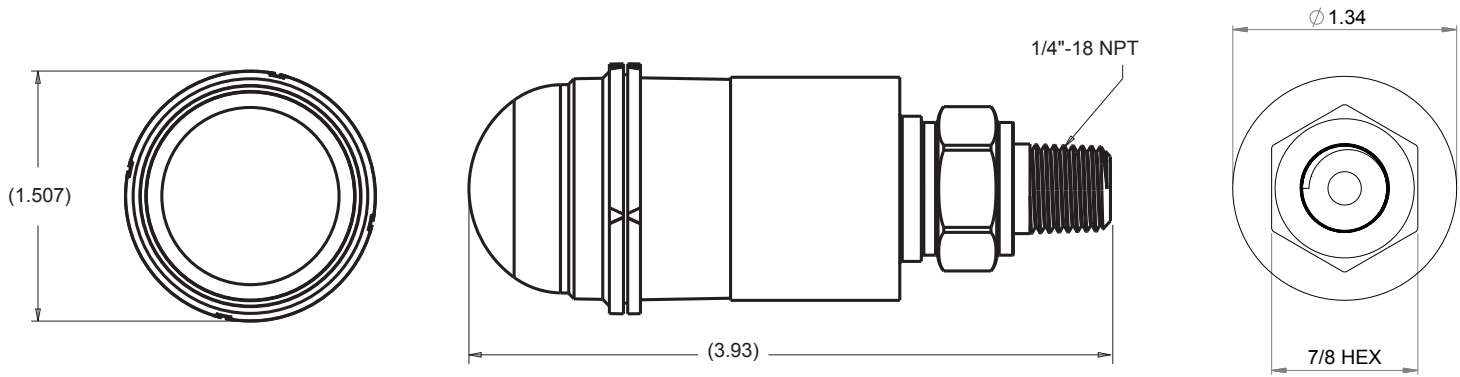
TDWLB APP



Free download at the Apple iTunes App Store and Google Play Play

Specifications may change without notice. The information we supply is believed to be accurate and reliable as of this printing. However, we assume no responsibility for its use. While we provide application assistance personally, through our literature and the Transducers Direct web site, it is up to the customer to determine the suitability of the product in the application.

DRAWING



Dimensions in inches and for reference only

All TDWLB Transducers Contain a Lithium Battery That Must Be Disposed of Properly

REGULATORY COMPLIANCE

This equipment has been tested and found to comply with the limits for a Class B digital device, pursuant to part 15 of the FCC Rules. These limits are designed to provide reasonable protection against harmful interference in a residential installation. This equipment generates, uses and can radiate radio frequency energy and, if not installed and used in accordance with the instructions, may cause harmful interference to radio communications. However, there is no guarantee that interference will not occur in a particular installation. If this equipment does cause harmful interference to radio or television reception, which can be determined by turning the equipment off and on, the user is encouraged to try to correct the interference by one or more of the following measures:

- Reorient or relocate the receiving antenna.
- Increase the separation between the equipment and receiver.
- Connect the equipment into an outlet on a circuit different from that to which the receiver is connected.
- Consult the dealer or an experienced radio/TV technician for help

Operation of this equipment in a residential area is likely to cause harmful interference in which case the user will be required to correct the interference at his own expense.

This device complies with Part 15 of the FCC Rules. Operation is subject to the two following conditions: (1) this device may not cause harmful interference, and (2) this device must accept any interference received, including interference that may cause undesired operation.

Changes or modifications not expressly approved by Transducers Direct could void the user's authority to operate the equipment.

FCC ID: 2ACGE-TDWLBG2

This device complies with Industry Canada licence-exempt RSS standard(s) / CNR of Industry Canada for licence exempt radio devices. Exploitation is entitled to the following two conditions: (1) the device does not produce interference, and (2) the device must accept any radio interference suffered, even if the interference is likely to jeopardize the operation.

IC: 12056A-TDWLBG2

## SPECIFICATIONS

<b>Performance</b>	Performance @ 25°C (77 °F)
Pressure Accuracy	0.25% or 0.2 psi, whichever is greater, 1% BFSL (includes non-linearity, hysteresis, non-repeatability)
Temperature Accuracy	± 1°C using temp probe
Overrange Protection	2x Rated Pressure
Pressure Range	see ordering chart - vacuum to 10,000 psi (690 bar)
Burst Pressure	5x or 20,000 psi, whichever is less
Pressure Cycles	>100 million
Update Time	Bluetooth® wireless technology (1sec)
Connection Distance	250 feet (line of sight)

### Environmental Data

Temperature	
Compensated Temperatures	-10° to 85° C (14 to 185° F)
Operating Temperatures	-40° to 85° C (-40° to 185° F)
Storage	-40° to 125° C (-40° to 257° F) without battery
TEB	3% FS
Long Term Drift	0.2% FS/year (non-cumulative)
Shock	50g, 11 ms, 1/2 sine
Vibration	10g, peak, 20 to 2400 Hz
EMI/RFI Protection	Yes
Ingress Rating	IP-67
Approvals	CE

### Mechanical Configuration

Pressure Connections	1/4" NPT Male, 7/16-20 UNF Male, G1/4 Male, 7/16-20 UNF Female w/ 45° flare & valve depressor (Schrader)
Wetted Material	17-4PH stainless steel (for other materials consult factory)
Case	(housing) 304 stainless steel and high-impact polycarbonate

### Electrical Data

Power Supply	3.6V Proprietary replacement battery, battery life: 24 months, typical. Battery life is affected by high and low temperatures. Battery Part Number: TDWLB-G2-BAT
Battery Removal	If battery pack is removed, you must wait 90 seconds to reinstall.
Operating System Requirements	iOS 8.0 or later Android 4.3 or later

## ORDERING

Series	Pressure Range	Pressure Connection	Accuracy	M5 / Temperature Probe
TDWLB	0500 (psi)	03	2	

0050	03= 1/4" NPT Male	4 = 1.0%	(BLANK)=NoM5connector(nottempprobe capable)
0100	09= 7/16-20 UNF Male	2 = 0.25%	T24=M5 connector, 24" cable with M5 mating connector and external temperature sensor
0250	13= G1/4 Male		M5 = M5 connector alone (temp probe capable)
0500	42= 7/16-20 UNF Female		**
0650	w/ 45° flare & valve		
1000	depressor (Schrader)		
3000	**		
5000			
010K			

\*\*= Consult factory for further OEM options.

Pressure ranges listed above are quick ship versions.

All straight-thread o-rings are Viton. It is customer's responsibility to determine compatibility.