

Preliminary
The CirrusSense™
TDWL B-FF
Wireless Bluetooth
Pressure Transducer
Designed for Fuel
Filter Applications



SERIES: TDWL B-FF

DESCRIPTION

Transducers Direct is excited to introduce Another Industry First, the wireless fuel and water separator filter sensor for new and existing applications. Designed to quickly and effortlessly replace the existing filter T handles and mechanical gauges, our wireless sensor easily communicates with the user up to 250ft away and can be used in a variety of applications including construction, agriculture, marine and generator equipment along with being a troubleshooting aid to help identify issues.

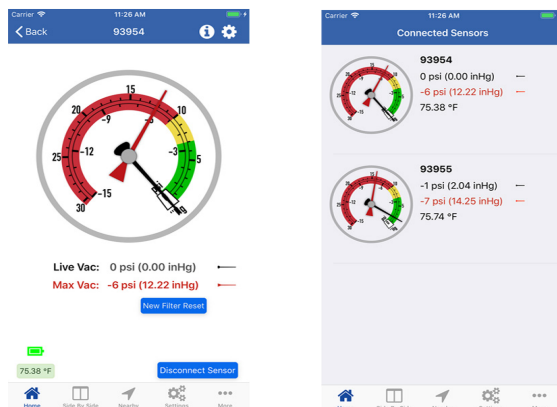
The dedicated app is easy to use allowing users to quickly read vacuum levels remotely or from the safety of the helm or cab. This provides a simple to read display and logs the highest level to determine if a filter needs replaced because of dirt or contaminated fuel resulting in poor engine performance and shorter downtime.

Built on Transducers Direct TD1000 proprietary technology, the TDWL B-FF ensures high quality, high accuracy and is made in the USA!

FEATURES

- Connects to smart phones and tablets with BLE (Bluetooth® Low Energy)
- Certified Bluetooth® Wireless technology
- Long battery life (proprietary technology)
- 1% Standard accuracy
- Stainless Steel and high impact polycarbonate construction
- Alarm set points
- Secure field programmable naming
- Patent Pending Design

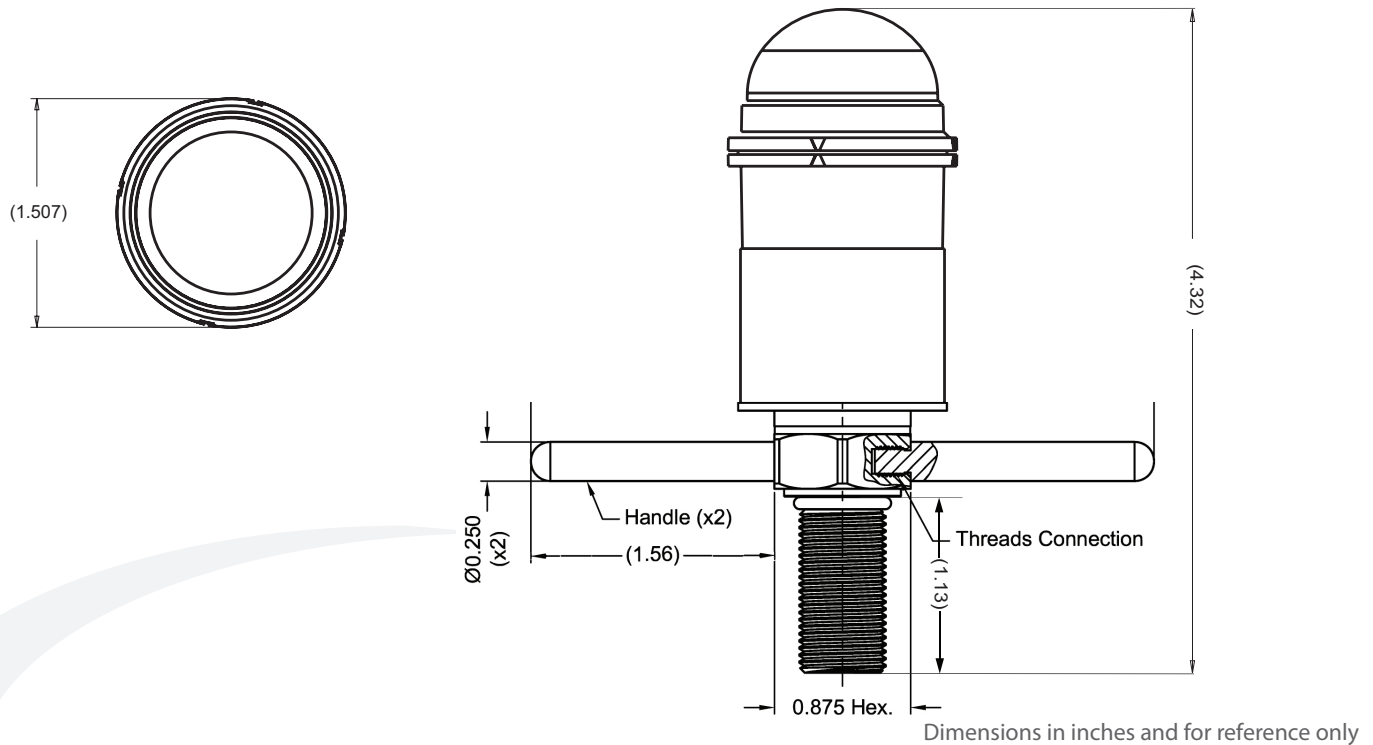
TDWL B APP



Free download at
the Apple iTunes
App Store

Specifications may change without notice. The information we supply is believed to be accurate and reliable as of this printing. However, we assume no responsibility for its use. While we provide application assistance personally, through our literature and the Transducers Direct web site, it is up to the customer to determine the suitability of the product in the application.

DRAWING



REGULATORY COMPLIANCE

This equipment has been tested and found to comply with the limits for a Class B digital device, pursuant to part 15 of the FCC Rules. These limits are designed to provide reasonable protection against harmful interference in a residential installation. This equipment generates, uses and can radiate radio frequency energy and, if not installed and used in accordance with the instructions, may cause harmful interference to radio communications. However, there is no guarantee that interference will not occur in a particular installation. If this equipment does cause harmful interference to radio or television reception, which can be determined by turning the equipment off and on, the user is encouraged to try to correct the interference by one or more of the following measures:

- Reorient or relocate the receiving antenna.
- Increase the separation between the equipment and receiver.
- Connect the equipment into an outlet on a circuit different from that to which the receiver is connected.
- Consult the dealer or an experienced radio/TV technician for help

Operation of this equipment in a residential area is likely to cause harmful interference in which case the user will be required to correct the interference at his own expense.

This device complies with Part 15 of the FCC Rules. Operation is subject to the two following conditions: (1) this device may not cause harmful interference, and (2) this device must accept any interference received, including interference that may cause undesired operation.

Changes or modifications not expressly approved by Transducers Direct could void the user's authority to operate the equipment.

FCC ID: 2ACGE-TDWL BG2

This device complies with Industry Canada licence-exempt RSS standard(s) / CNR of Industry Canada for licence exempt radio devices. Exploitation is entitled to the following two conditions: (1) the device does not produce interference, and (2) the device must accept any radio interference suffered, even if the interference is likely to jeopardize the operation.

IC: 12056A-TDWL BG2

SPECIFICATIONS

Performance	Performance @ 25°C (77 °F)
Pressure Accuracy	1% BFSL (includes non-linearity, hysteresis, non-repeatability)
Temperature Accuracy	± 1°C
Overrange Protection	2x Rated Pressure
Pressure Range	Vacuum (-14.7) to 0 psi standard range
Burst Pressure	5x or 20,000 psi, whichever is less
Pressure Cycles	>100 million
Update Time	Bluetooth [®] wireless technology (1sec)
Environmental Data	
Temperature	
Compensated Temperatures	-10° to 85° C (14 to 185° F)
Operating Temperatures	-40° to 85° C (-40° to 185° F)
Storage	-40° to 125° C (-40° to 257° F) without battery
TEB	3% BFSL (includes: Non-linearity, Hysteresis and Non-repeatability)
Long Term Drift	0.2% FS/year (non-cumulative)
Shock	50g, 11 ms, 1/2 sine
Vibration	10g, peak, 20 to 2400 Hz
EMI/RFI Protection	Yes
Ingress Rating	IP-67
Approvals	CE
Mechanical Configuration	
Pressure Connections	9/16 -18 UNF 2A with integrated handle
Wetted Material	316 stainless steel
Case	(housing) 304 stainless steel and high-impact polycarbonate
Electrical Data	
Power Supply	3.6V Proprietary replacement battery, battery life: 24 months, typical. Battery life is affected by high and low temperatures.
Battery Removal	If battery pack is removed, you must wait 90 seconds to reinstall.
Connection Distance	250 feet (line of sight)
Operating System Requirements	iOS 8.0 or later Android 4.3 or later

ORDERING

Series	Pressure Range	Pressure Connection	Accuracy
TDWLB-FF	V000 (psi)	49	4
	Vac-0 **	49=9/16-18UNF2A with integrated handle **	4 = 1.0%

**= Consult factory for further OEM options.

Pressure ranges listed above are quick ship versions.

All straight-thread o-rings are Viton. It is customer's responsibility to determine compatibility.